



# SilentFlo™

## POOL PUMP

Quietness & Efficiency taken beyond

# SilentFlo™

## POOL PUMP

Large volume strainer basket

Stainless steel motor shaft

50mm barrel unions

Elevated base

### FEATURES & BENEFITS

#### Quiet operation

A specially designed sound-dampening pump casing and base make pump operation incredibly quiet, enabling you to run the pump at night without disturbing the neighbours and take advantage of the off-peak tariffs.

#### High efficiency

Precision-fit internal components and superior hydraulic design deliver effortless performance, energy savings and extended pump life.

#### Elevated base

Further dampens sound and vibration for even quieter operation and keeps the pump above sitting water which minimises corrosion.

#### Stainless steel motor shaft

Extends the life of the pump by reducing corrosion.

#### Large volume Strainer basket

Minimises the maintenance requirement by extending the time between strainer basket clean outs.

#### 50mm barrel unions

Quick and easy to install, while allowing pump removal without flexing pipework.

#### Dual connections

50mm thread or 50mm quick-disconnect barrel unions. Allows piping flexibility - threaded connections allow for permanent installation- service is still possible by removing the motor and yoke from the casing.

#### Thermoplastic casing and hydraulic parts

Constructed of our durable thermoplastic composite resin, so you can be sure it will stand up to the hardest conditions.

#### Cam & Ramp™ lid

Easy to remove, locks in place with a quarter turn, making inspection and cleaning a breeze.

#### Captive bolts

Easy servicing, no lost fasteners.

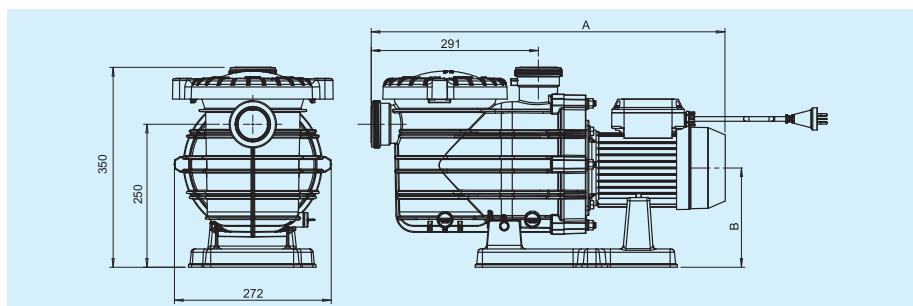
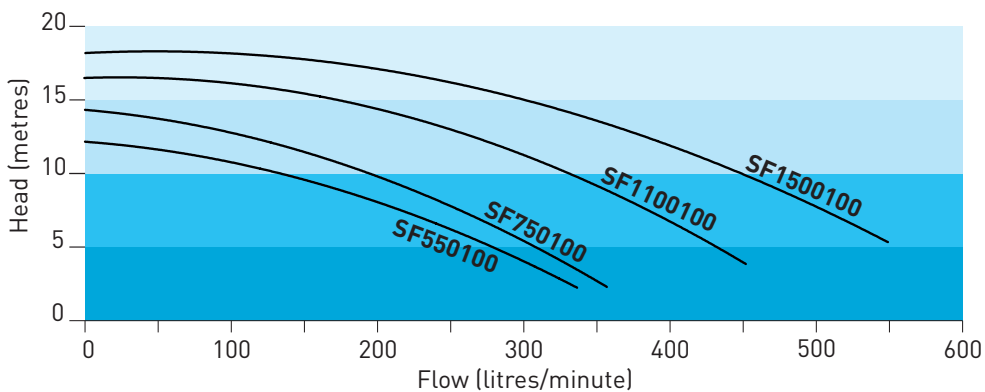
#### Electrical approvals

Rest easy knowing your Pantera pool pump has passed the Australian Standard AS/NZS 60335.2.41 for safety and is approved for installation within the wetted zone of the pool area.





## PUMP PERFORMANCE CHART



## DIMENSIONS

Pump Model	A (mm)	B (mm)
SF550100	616	173
SF750100	616	173
SF1100100	637	179
Sf1500100	677	179

## OPERATING CONDITIONS

Suitable for pumping clean non-aggressive liquids without solids or fibres in suspension.

Fluid:	Water
Maximum working pressure:	360 kPa
Water (Swim Pool) temp range:	5°C-40°C
Ambient temperature:	55°C maximum

## MOTOR

Type:	TEFC 2 pole continuously rated
Nominal speed:	2900 rpm
IP rating:	IPX5
Insulation class:	Class F
Thermal overload:	Internal, auto reset
Frequency:	50Hz
Voltage:	230-240V
Bearing type:	Deep groove ball bearing with double contact lip seal

## MATERIALS

Component	Material
Pump Casing	Polypropylene 40% Glass Filled
Impeller	Polyphenylene Ether
Diffuser	Polypropylene Hp Tf 40%
Yoke	Polypropylene 40% Glass Filled
Drain Plugs	Polypropylene
Motor Shaft	Stainless Steel 303
End Shield	Cast Aluminium
Strainer Basket	High Impact Polystyrene
Strainer Basket O-ring	Low Friction Nitrile
Strainer Pot Lid	Makrolon Polycarbonate
Barrel Unions	ABS
Base	Copolymer Polypropylene
Mechanical Seal	3/4" Carbon ceramic Nitrile bellows 316 SS spring

## MODEL DATA

Pump Model	Motor power		Supply Voltage	Phase	Sound Pressure Level	Full Load current	Locked Rotor current	Capacitor
Abbreviation	P1	P2			SPL	FLA	LRA	
Unit of Measure	Watt	Watt	V	n	dBA*	Amp	Amp	µF
SF550100	600	450	230-240V	1	56	2.6	14	25
SF750100	740	550	230-240V	1	56	3.3	14	25
SF1100100	1050	790	230-240V	1	59	5.0	22	25
SF1500100	1590	1190	230-240V	1	61	6.7	28	35

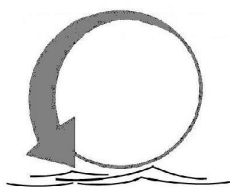
\* dB(A) @ 1 metre

# SilentFlo™

POOL PUMP



AVAILABLE FROM:



## Whiteside Pools

148 Barrington Street, Bibra Lake, WA  
T: (08) 9434 5034  
F: (08) 9438 2343  
E: sales@wsph.com.au  
W: www.pickapoolpart.com.au  
P: PO Box 1562, Bibra Lake WA 6965

[Click Here  
To Return to  
Website](#)

