



DAVEY

APPLICATIONS

Ideal for most swimming pool applications such as:

- Lap pools
- Concrete and tile pools
- Fibreglass pools
- Swim Jet installation
- Sport or rehabilitation installations



WHY CHOOSE THE PowerMaster® pool pump?

Reliable - Constructed of strong corrosion and U.V. resistant materials for long and reliable working life.

Built-in check valve protects pump internals from reverse flows.

Extra heavy duty, totally enclosed motor protects against the elements for long operating life.

Built-in thermal overload protects the motor against damage from over-heating.

Long Lasting - High performance Silicon Carbide mechanical seal for long life in salt & fresh water.

Performance - Powerful pumping delivers optimum flow rates for rapid pool water turnover, with quiet and efficient performance.

Convenient - Easy to remove, see through strainer lid for easy removal of leaves.

Extra large strainer basket allows long intervals between cleaning & rapid priming.

Drain plug enables simple water drainage for easy maintenance.

Three phase model available for commercial pools and aquaculture applications.

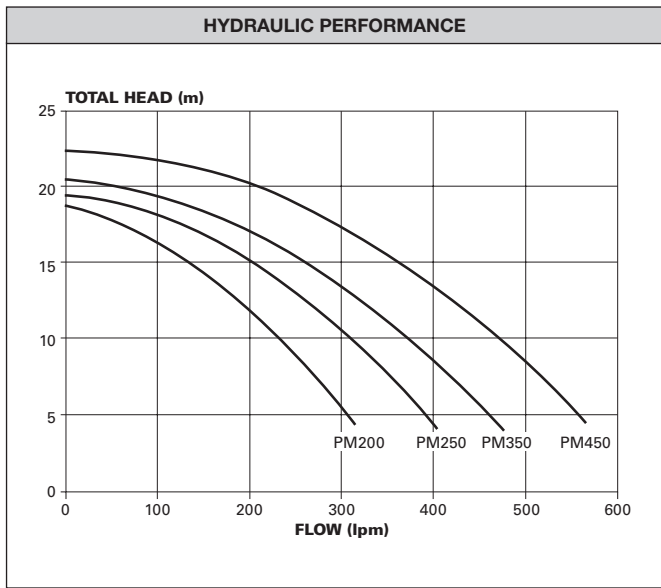
3m power lead with 10amp Australian three pin plug fitted to all single phase models.



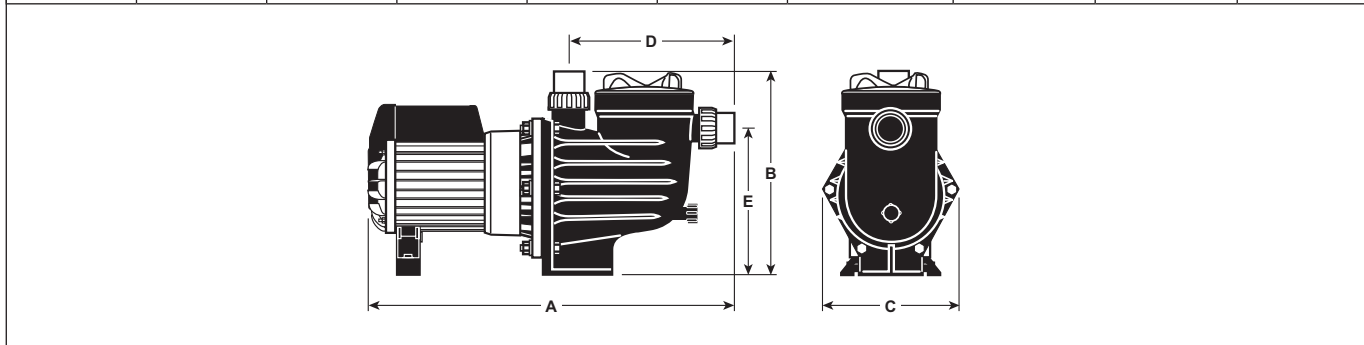


ELECTRICAL DATA					
	PM 200	PM 250	PM 350	PM 450	PM 4503
Voltage (V)	220-250				380-415
Phase	1				3
Supply Frequency (Hz)	50Hz				
Start Current (A)	27	27	27	40	24
Run Current (A)	5.8	6.5	7.7	10.0	3.6
Motor Input Power (W)/hp	1200	1360	1675	2300	2040
Motor Output Power (W)/hp	900	1000	1200	1775	1750
RPM	2850				
Enclosure Class (IP)	56				
Insulation Class	F				
Approval No.	A/10EA				

OPERATING LIMITS	
Maximum water temperature	50°C
Maximum ambient temperature	55°C
dBa @ 1 metre	64 - (PM 200/250/300) 65 - (PM450/4503)



DIMENSIONS (mm)									
Model	A	B	C	D	E	Mounting Holes Dia.	Inlet PVC	Outlet PVC	Net Weight (kg)
PM 200	615	330	250	305	246	10	*40/50	*40/50	15.9
PM 250	615	330	250	305	246	10	*40/50	*40/50	15.9
PM 350	615	330	250	305	246	10	*40/50	50	16.0
PM 450/3	665	330	250	305	246	10	50	50	18.0



* Suction and delivery accept 40mm PVC pipe on the I.D. and 50mm fitting on the O.D.

Whiteside Pools

148 Barrington Street, Bibra Lake, WA
 T: (08) 9434 5034
 F: (08) 9438 2343
 E: sales@wsph.com.au
 W: www.pickapoolpart.com.au
 P: PO Box 1562, Bibra Lake WA 6965

Click Here
To Return to
Website

