



Experts in water.

**DAVEY**

## APPLICATIONS

Ideal for most swimming pool applications such as:

- Filtration
- Auto pool cleaning
- Backwashing
- Water features
- Spa jet operation
- Solar pool heating
- Gas and heat pump spa & pool heating

## WHY CHOOSE THE Silensor® Series 50Hz pump?

**Super-Quiet** - Designed with a unique water-cooled motor which captures noise and vibrations, allowing super-quiet operation, rated between 54 and 56 dBa. Your neighbours won't even know it's there.

**Long Lasting** - Silensor is designed for long service life in an outdoor, poolside environment and replaces highly corrodible metal components with high performance, long-life plastics for low maintenance and dependable service – year after year.

**Dependable** - Silensor incorporates unique dry run protection to minimise pump damage if no water is available to the pump. It also includes a unique mechanical seal protection for long service life and reduced maintenance.

**Convenient** - By water-cooling the motor, Silensor does not require air ventilation, and gives installers more flexibility with pump positioning.

- SLS models are an ideal replacement for many other pool pump models and are designed to retrofit with minimal hassle.
- SLL models feature a large leaf basket for long intervals between cleaning.

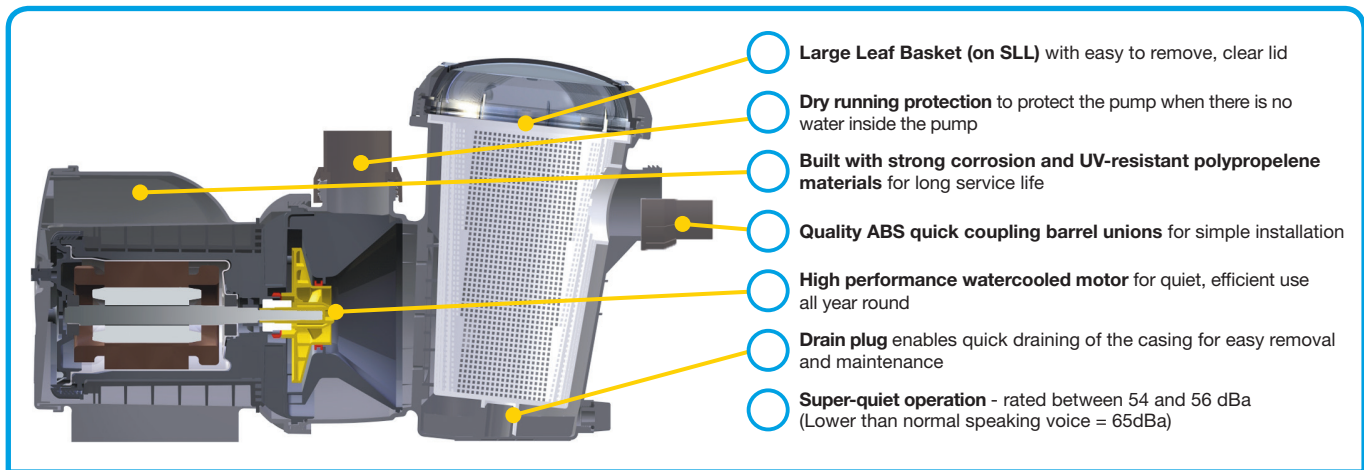


**SILENSOR®** by **DAVEY**

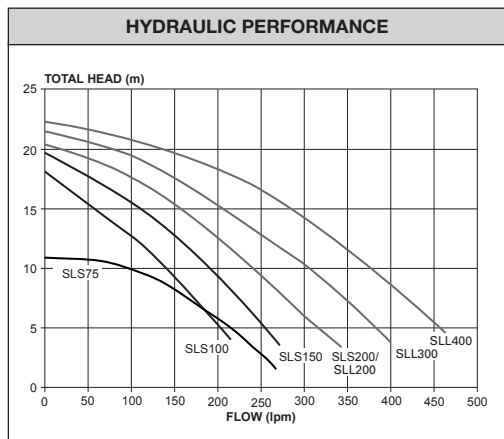
## 50Hz Super Quiet Pool Pump

Davey's Silensor® Series pool pumps offer super-quiet operation with high efficiency, making them the ideal choice for today's swimming pools.



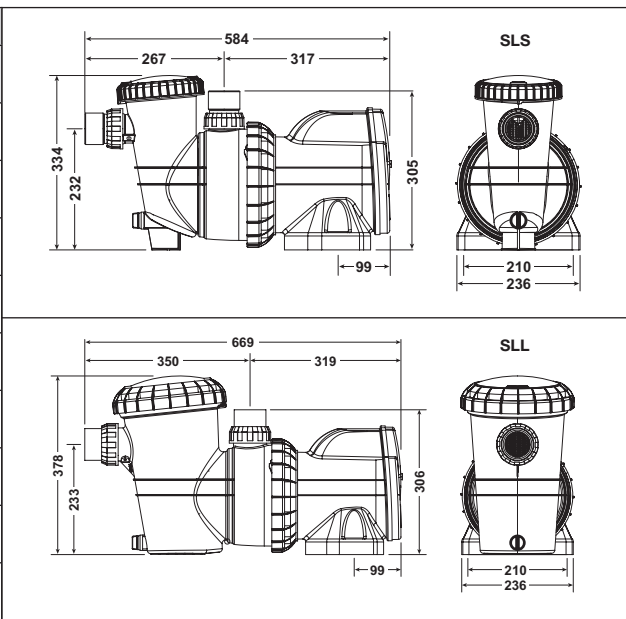


ELECTRICAL DATA									
Type	SLS75	SLS100	SLS150	SLS200	SLS300	SLL150	SLL200	SLL300	SLL400
Voltage (V)	220 / 240								
Supply Frequency (Hz)	50								
Motor Input Power (W/HP)	530/0.7	740/1.0	860/1.2	1090/1.5	1400/1.9	870/1.2	1130/1.5	1400/1.9	1760/2.4
Motor Output Power	371/0.5	525/0.7	620/0.8	775/1.0	960/1.3	635/0.8	830/1.1	960/1.3	1200/1.6
RPM	2850								
Enclosure Class (IP)	56								
Insulation Class	F								
Approval No.	A/10EA								
Lead Length	3m								



OPERATING LIMITS	
Max. water temperature	40°C
Max. ambient temperature	40°C
Noise level (AS 5102.2)	54 to 56dBa

DIMENSIONS (mm)				
Type	Mounting Holes Diameter	Inlet PVC	Outlet PVC	Net Weight (kg / lbs)
SLS 75	10 x 34 deep	40 / 50	40 / 50	11.0
SLS 100		40 / 50	40 / 50	11.0
SLS 150		40 / 50	40 / 50	11.0
SLS 200		40 / 50	40 / 50	11.5
SLS 300		40 / 50	40 / 50	11.5
SLL 150		40 / 50	40 / 50*	11.5
SLL 200		40 / 50	40 / 50*	12.5
SLL 300		50	50	12.5
SLL 400		50	50	13.0



\* Suction & delivery accept 40mm PVC pipe on the I.D. and 50mm fitting on the O.D.



[davey.com.au](http://davey.com.au) | [daveynz.co.nz](http://daveynz.co.nz)

This literature is not a complete guide to product usage. Further information is available from your Davey Dealer, Davey Support Centre and from the relevant product Installation and Operating Instructions. Must be read in conjunction with the relevant product Installation and Operating Instructions and all applicable statutory requirements. Product specifications may change without notice.  
© Davey is a registered trademark of Davey Water Products Pty Ltd. © Davey Water Products Pty Ltd 2013.