



Experts in water.

DAVEY

APPLICATIONS

Ideal for most swimming pool applications such as:

- Filtration
- Auto pool cleaning
- Backwashing
- Water features
- Spa jet operation
- Solar pool heating
- Gas and heat pump spa & pool heating

WHY CHOOSE THE Silensor® Series 50Hz pump?

Super-Quiet - Designed with a unique water-cooled motor which captures noise and vibrations, allowing super-quiet operation, rated between 54 and 56 dBa. Your neighbours won't even know it's there.

Long Lasting - Silensor is designed for long service life in an outdoor, poolside environment and replaces highly corrodible metal components with high performance, long-life plastics for low maintenance and dependable service – year after year.

Dependable - Silensor incorporates unique dry run protection to minimise pump damage if no water is available to the pump. It also includes a unique mechanical seal protection for long service life and reduced maintenance.

Convenient - By water-cooling the motor, Silensor does not require air ventilation, and gives installers more flexibility with pump positioning.

- SLS models are an ideal replacement for many other pool pump models and are designed to retrofit with minimal hassle.
- SLL models feature a large leaf basket for long intervals between cleaning.

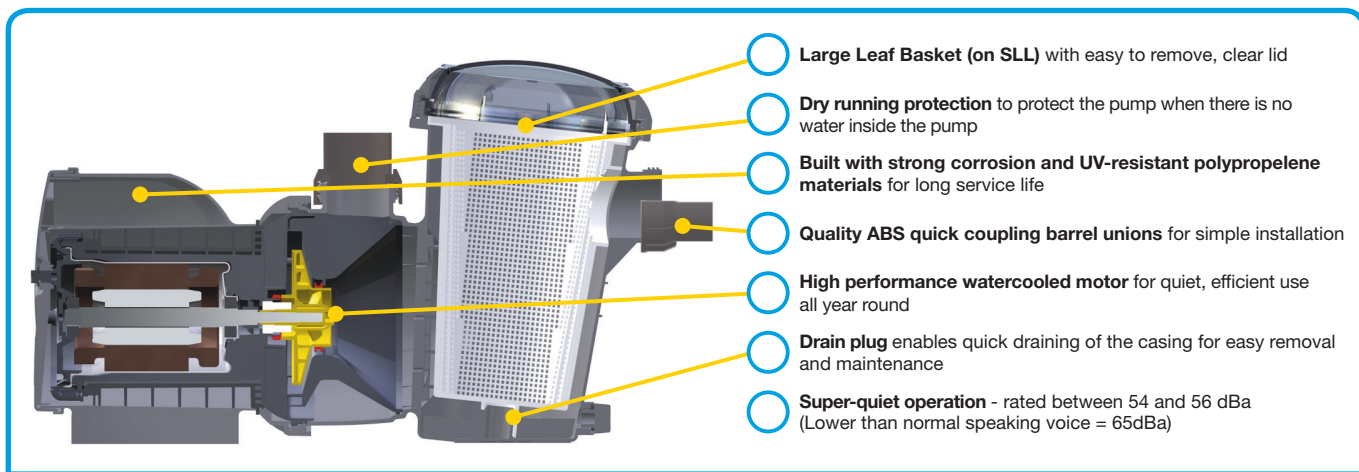


SILENSOR® by **DAVEY**

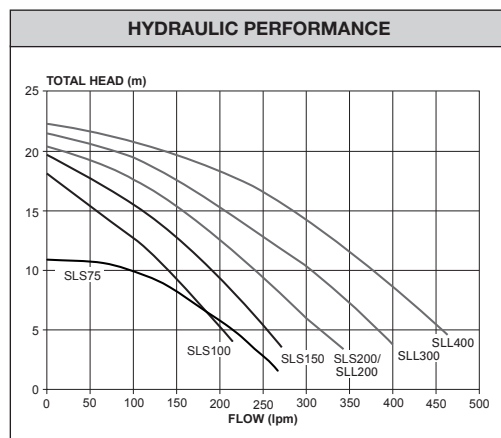
50Hz Super Quiet Pool Pump

Davey's Silensor® Series pool pumps offer super-quiet operation with high efficiency, making them the ideal choice for today's swimming pools.



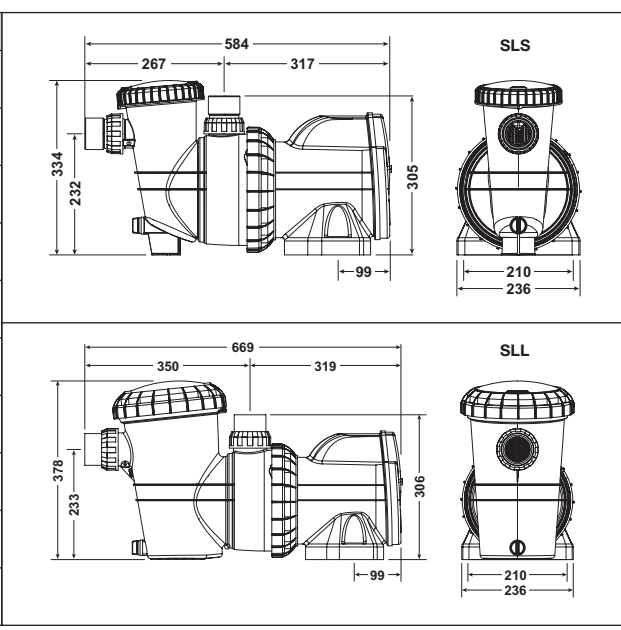


ELECTRICAL DATA									
Type	SLS75	SLS100	SLS150	SLS200	SLS300	SLL150	SLL200	SLL300	SLL400
Voltage (V)	220 / 240								
Supply Frequency (Hz)	50								
Motor Input Power (W/HP)	530/0.7	740/1.0	860/1.2	1090/1.5	1400/1.9	870/1.2	1130/1.5	1400/1.9	1760/2.4
Motor Output Power	371/0.5	525/0.7	620/0.8	775/1.0	960/1.3	635/0.8	830/1.1	960/1.3	1200/1.6
RPM	2850								
Enclosure Class (IP)	56								
Insulation Class	F								
Approval No.	A/10EA								
Lead Length	3m								

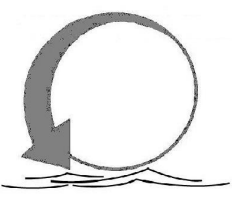


OPERATING LIMITS	
Max. water temperature	40°C
Max. ambient temperature	40°C
Noise level (AS 5102.2)	54 to 56dBa

DIMENSIONS (mm)				
Type	Mounting Holes Diameter	Inlet PVC	Outlet PVC	Net Weight (kg / lbs)
SLS 75	10 x 34 deep	40 / 50	40 / 50	11.0
SLS 100		40 / 50	40 / 50	11.0
SLS 150		40 / 50	40 / 50	11.0
SLS 200		40 / 50	40 / 50	11.5
SLS 300		40 / 50	40 / 50	11.5
SLL 150		40 / 50	40 / 50*	11.5
SLL 200		40 / 50	40 / 50*	12.5
SLL 300		50	50	12.5
SLL 400		50	50	13.0



* Suction & delivery accept 40mm PVC pipe on the I.D. and 50mm fitting on the O.D.



Whiteside Pools

148 Barrington Street, Bibra Lake, WA
 T: (08) 9434 5034
 F: (08) 9438 2343
 E: sales@wsph.com.au
 W: www.pickapoolpart.com.au
 P: PO Box 1562, Bibra Lake WA 6965

Click Here
To Return to
Website

