



Aster Filter

- ✓ Sand filter, laminated with polyester / fibre glass resin
- ✓ Equipped with collectors of 1" diameter and diffuser of highly resistant PVC
- ✓ Side mount 6 way multi port valve



Aster Filter

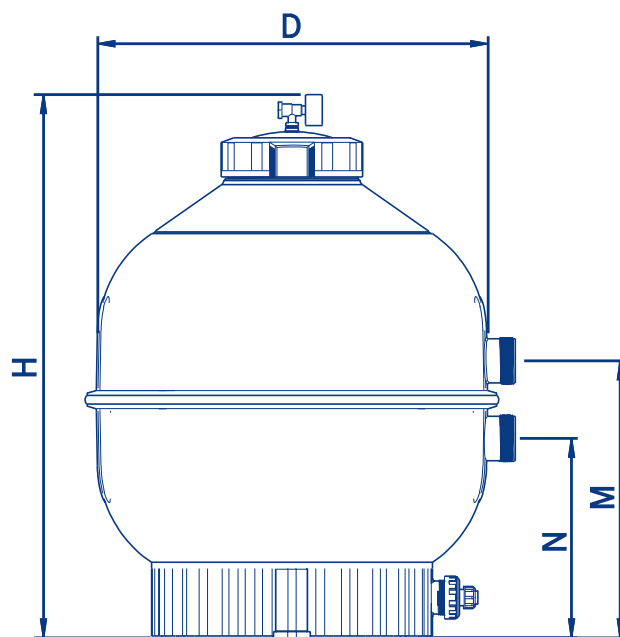
Aster laminated sand filters are known for their reliability, making them one of the top selling filters in the world, as well as for their collector arms, which feature a larger diameter for greater filtering surface. Fitted with an

AstralPool multiport valve with 6+1 positions for filter, backwash, rinse, recirculating, waste and closed. A patented system is used for opening and closing the cover, thereby eliminating the use of traditional screws.

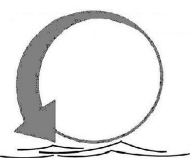


SPECIFICATIONS

	Aster Filter D 600	Aster Filter D 750
D mm	600	750
H mm	850	945
M mm	455	555
N mm	330	325
Connections	1 1/2"	2
Flow m3/h a 50m3/h/m2	14	21
Pool (volume) m3	112	168
Sand / Gavel kg	125	210
Maximum working pressure kPa	2.5	2.5
Viron Glass Coarse	2 bags	4 bags
Viron Glass Fine	5 bags	7 bags



Available from:



Whiteside Pools

148 Barrington Street, Bibra Lake, WA
 T: (08) 9434 5034
 F: (08) 9438 2343
 E: sales@wsph.com.au
 W: www.pickapoolpart.com.au
 P: PO Box 1562, Bibra Lake WA 6965

ASTRALPOOL 

A division of
FLUIDRA 

Click Here
 To Return to
 Website

